

HBL2326 -- Twist-Lock Flanged Receptacle



2P3W, 20A 250V, L6-20R, White Nylon

Product Specifications

Product Type



Product Item	Flanged Receptacle
Wiring Scheme	2 Pole, 3 Wire Grounding
Amperage	20A
Voltage	250V AC
NEMA Configuration	L6-20R
Item Style	Standard
Device Color	White
Horsepower	2
Terminal Retainer Material	Clear polycarbonate
Terminal Clamp Material	.08" (2) steel-nickel plated
Terminal Screw Material	#10-32 Brass (white finish on neutral screw when used) Multi-drive
Ground Screw Material	#10-32 Brass (green finish) Multi-drive

Body Holding Screw Material	Steel, zinc plated Multi-drive
Body Contact Carrier Material	Natural White Nylon
Contact Spring Material	Brass
Spring Binding Plate Material	Brass
Flanged Casing Material	Natural White Nylon
Mounting Screw Material	Nickel-plated Brass Round head screws
Ground Contact Material	.031" (.8) Brass
Ratings	Molded into face.
Catalog No.	Ink marked on nylon casing.
Dielectric Voltage Withstand	2,000V minimum.
Current Interrupting	Certified for current interrupting at full rated current.
Temperature Rise	Max 30C temperature rise at full rated current after 50 cycles of overload at 150% of rated current at a power factor of .75.
Terminal Accommodation	20A #12 AWG
Terminal Identification	Terminals identified in accordance with UL 498 (X, Y, Z, White, Green)
Flammability	HB or better per UL 94 or CSA 22.2 No. 0.6
Operating Temperatures	Maximum Continuous 75 C Minimum -40 C (w/o impact)
Listings	FED SPEC UL/CSA
Feature Info	Nylon casing, back wired.
Catalog Page	Click here for catalog page B22
Brochures	Click here for product brochure
Hubbellnet	Click here for Hubbellnet
Catalog Section	Click here for Section-B
UPC Number	78358503787
Weight in LBs	0.25



NEMA
Configuration

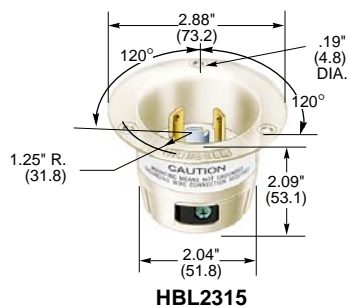
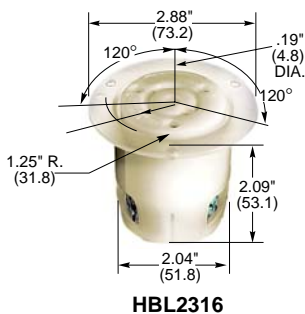
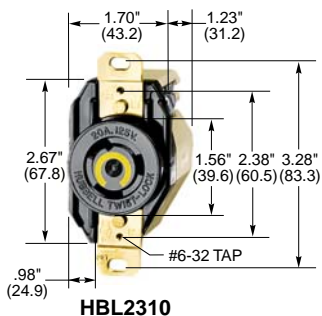


TWIST-LOCK® Devices

2 Pole, 3 Wire Grounding

20 Ampere, 125, 250 Volts and 277 Volts AC

Receptacles, INSULGRIP® Connector Bodies, Flanged Devices and Plugs



NEMA L5-20R
20A 125V
UL/CSA
1 HP



NEMA L6-20R
20A 250V
UL/CSA
2 HP



NEMA L7-20R
20A 277V AC
UL/CSA
2 HP

Single Flush Receptacles, Back and Side Wired

Description	Catalog Numbers		
Black nylon face.	HBL2310	HBL2320	HBL2330
Isolated ground, orange nylon face.	IG2310	IG2320	—
Corrosion resistant, yellow nylon face.	HBL23CM10	—	—

Insulgrip Connector Bodies IP20 SUITABILITY

Description	Catalog Numbers		
Black and white nylon.	HBL2313	HBL2323	HBL2333
Corrosion resistant, yellow nylon.	HBL23CM13	HBL23CM23	—

Note: Cord clamp range .360"-.930" (9-24).

Insulgrip Flanged Receptacles

Description	Catalog Numbers		
Nylon casing, back wired.	HBL2316	HBL2326	HBL2336



NEMA L5-20P
20A 125V
UL/CSA
1 HP



NEMA L6-20P
20A 250V
UL/CSA
2 HP



NEMA L7-20P
20A 277V AC
UL/CSA
2 HP

Insulgrip Plugs IP20 SUITABILITY

Description	Catalog Numbers		
Black and white nylon.	HBL2311	HBL2321	HBL2331
Corrosion resistant, yellow nylon.	HBL23CM11	HBL23CM21	—

Notes: Cord grip range .360"-.930" (9-24).
See page B-73 for Add-A-Shroud™ kit.

Insulgrip Flanged Inlets

Description	Catalog Numbers		
Nylon casing, back wired.	HBL2315	HBL2325	HBL2335

Notes: See pages B-68 and B-69 for accessories.
See page B-63 for switched enclosure.
For technical information see page B-83.
HP ratings are AC only.
Only receptacles and plugs are HP rated.